

## ASSEMBLY INSTRUCTIONS

### Option 1: Canopy Mounted Driver

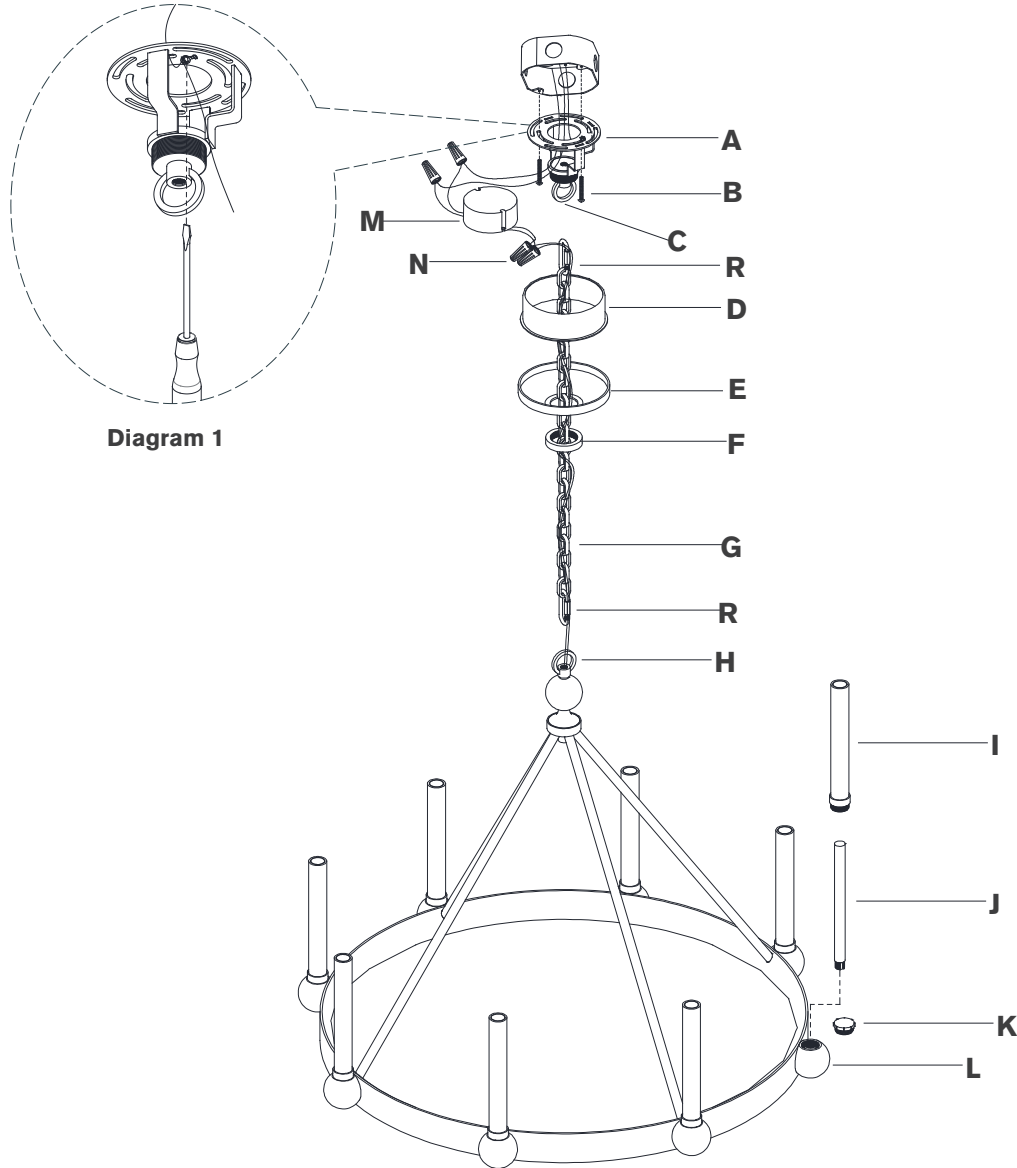


Diagram 1

## Jeffery Medium Ring Chandelier

Item # TOB 5775

### NOTICE:

This light fixture should be installed in accordance with all applicable, local installation codes, and by a person familiar with the construction and operation of it, as well as the hazards involved. Inspect item and contents carefully. If any damage or defect is found, do not install. Retain all packaging material until installation is complete and approved.

### TOOLS REQUIRED (NOT INCLUDED):

Phillips Screwdriver

Slotted Screwdriver

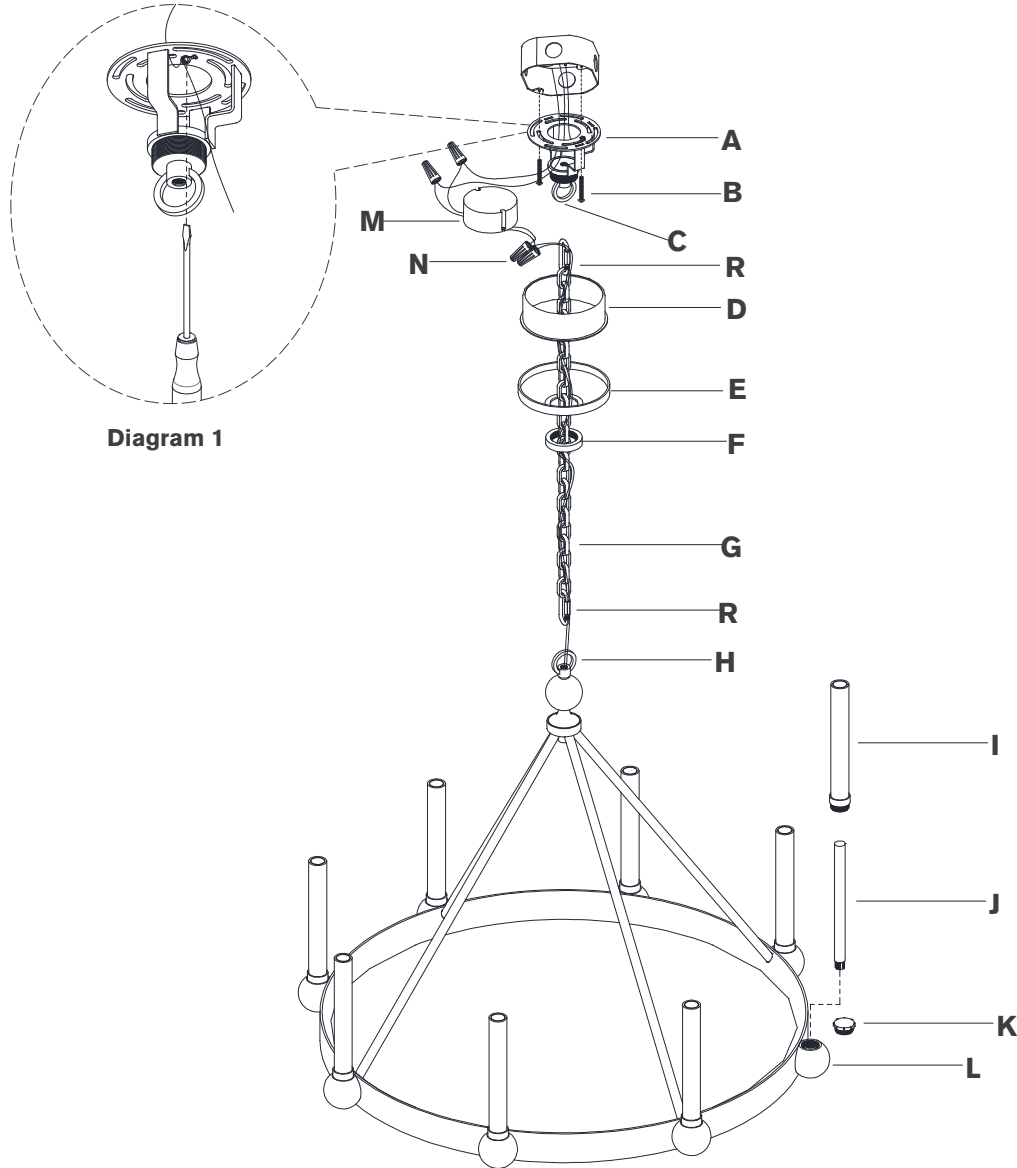
Wire Cutters

Wire Strippers

1. Carefully remove all parts from the box. Place on a clean, soft surface.
2. Remove mounting plate **(A)** from driver housing **(D)** and canopy **(E)** by removing collar ring **(F)**.
3. Install mounting plate **(A)** to junction box and secure with mounting screws **(B)**.
4. Install driver housing **(D)** and canopy **(E)** to mounting plate **(A)** and secure with collar ring **(F)**.
5. Determine desired overall length, and amount of chain **(G)** needed. Shorten chain using chain pliers. (Keep extra chain)
6. Attach chain **(G)** to collar loop **(C)** and fixture loop **(H)** using quick links **(R)**. Secure quick links **(R)**
7. Thread fixture wire through chain **(G)**.  
**NOTE:** When you reach the collar loop **(C)**, ensure there is no tension on the wires. Cut excess wires, being sure to leave enough to reach the junction box.
8. Separate wires, and strip insulation on each 5/8"
9. Loosen collar ring **(F)** and let canopy **(E)** and driver housing **(D)** slip down chain **(G)** carefully.
10. Connect fixture neutral wire (ribbled) to the driver **(M)** output neutral wire (black) using wire nut **(N)**.

## ASSEMBLY INSTRUCTIONS

### Option 1: Canopy Mounted Driver



## Jeffery Medium Ring Chandelier

Item # TOB 5775

### NOTICE:

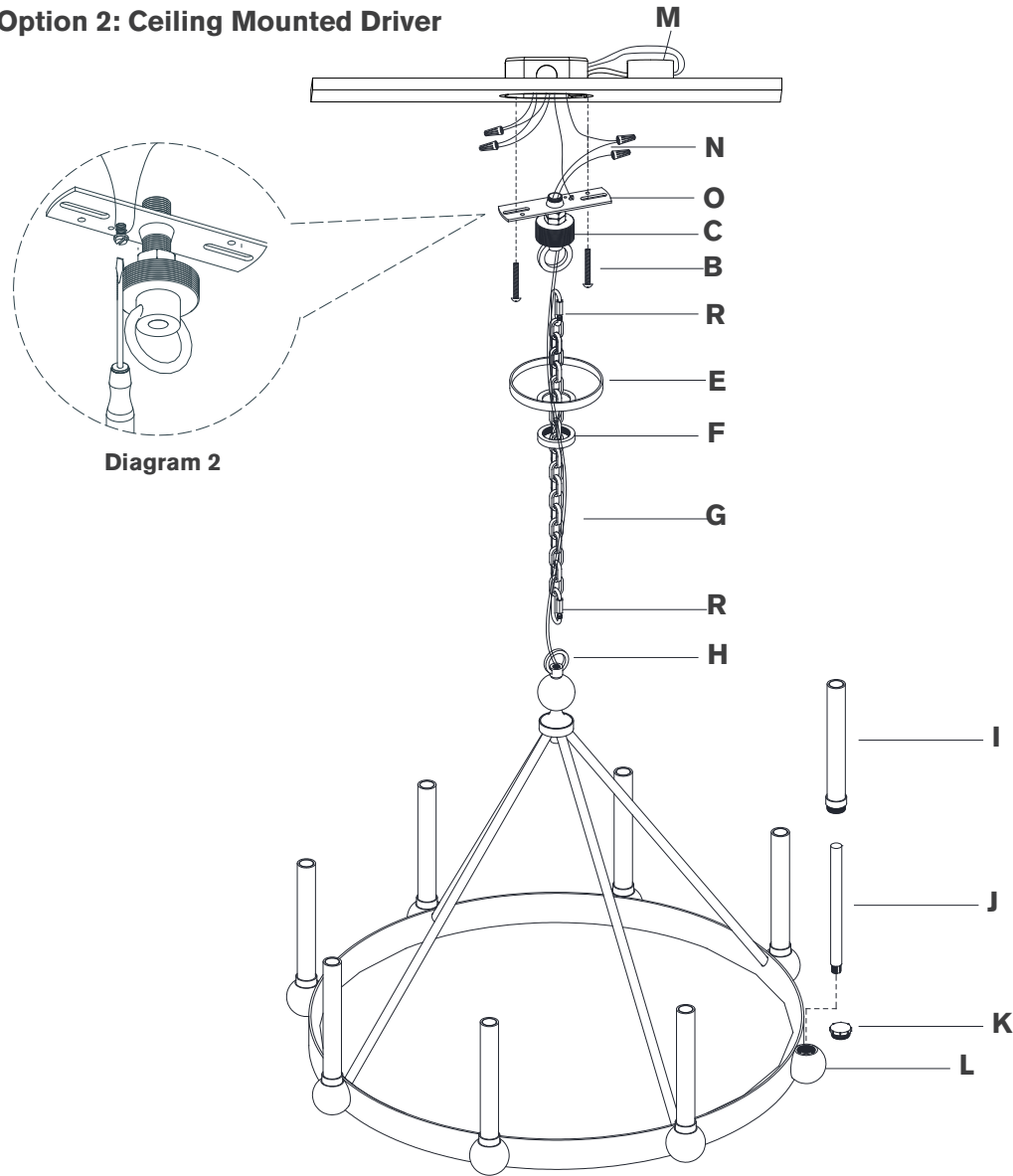
This light fixture should be installed in accordance with all applicable, local installation codes, and by a person familiar with the construction and operation of it, as well as the hazards involved. Inspect item and contents carefully. If any damage or defect is found, do not install. Retain all packaging material until installation is complete and approved.

11. Connect fixture hot wire (smooth with markings) to the driver (**M**) output hot wire (red) using wire nut (**N**).
12. Connect supply ground wire (green) around the green grounding screw on mounting plate (**A**). (see diagram 1). Tighten.  
**NOTE:** It is imperative that the fixture is grounded.
13. Connect driver (**M**) input neutral wire (white) to the supply neutral wire (usually white) using wire nut (**N**).
14. Connect driver (**M**) input hot wire (black) to the supply hot wire (usually black) using wire nut (**N**).  
**CAUTION:** Do not reverse the hot and neutral connections.
15. Make sure all wire connections are tight, then carefully tuck into the junction box.
16. Insert driver (**M**) into mounting plate bracket.
17. Install driver housing (**D**), canopy (**E**) to mounting plate (**A**) and secure with collar ring (**F**).
18. Remove protective covers (**K**) from sockets (**L**).
19. Thread LED bulbs (**J**) to the sockets (**L**).  
**NOTE:** All LED Must be installed before testing or restoring power to avoid malfunction
20. Thread glass shades (**I**) to sockets (**L**).  
**NOTE:** Do not overtighten otherwise shade could become damaged.

**Care Instructions:** Clean only with a soft dry cloth or feather duster. Do not use abrasive or chemical agents.

## ASSEMBLY INSTRUCTIONS

### Option 2: Ceiling Mounted Driver



## Jeffery Medium Ring Chandelier

Item # TOB 5775

### NOTICE:

This light fixture should be installed in accordance with all applicable, local installation codes, and by a person familiar with the construction and operation of it, as well as the hazards involved. Inspect item and contents carefully. If any damage or defect is found, do not install. Retain all packaging material until installation is complete and approved.

### TOOLS REQUIRED (NOT INCLUDED):

Phillips Screwdriver      Slotted Screwdriver      Wire Cutters  
Wire Strippers

1. Carefully remove all parts from the box. Place on a clean, soft surface.
2. Place driver **(M)** into ceiling and route all wires through one of the knockouts in the junction box.
3. Install mounting plate **(O)** (Located inside yellow hardware bag) to junction box and secure with mounting screws **(B)**.
4. Install canopy **(E)** to mounting plate **(O)** and secure with collar ring **(F)**.
5. Determine desired overall length, and amount of chain **(G)** needed. Shorten chain using chain pliers. (Keep extra chain)
6. Attach chain **(G)** to collar loop **(C)** and fixture loop **(H)** using quick links **(R)**. Secure quick links **(R)**
7. Thread fixture wire through chain **(G)**.

**NOTE:** When you reach the collar loop **(C)**, ensure there is no tension on the wires. Cut excess wires, being sure to leave enough to reach the junction box.

8. Separate wires, and strip insulation on each 5/8"
9. Loosen collar ring **(F)** and let canopy **(E)** slip down chain **(G)** carefully.
10. Connect fixture neutral wire (ribbled) to the driver **(M)** output neutral wire (black) using wire nut **(N)**.
11. Connect fixture hot wire (smooth with markings) to the driver **(M)** output hot wire (red) using wire nut **(N)**.
12. Wrap supply ground wire (green) around the green grounding screw on mounting plate **(O)**. (see diagram 2). Tighten.

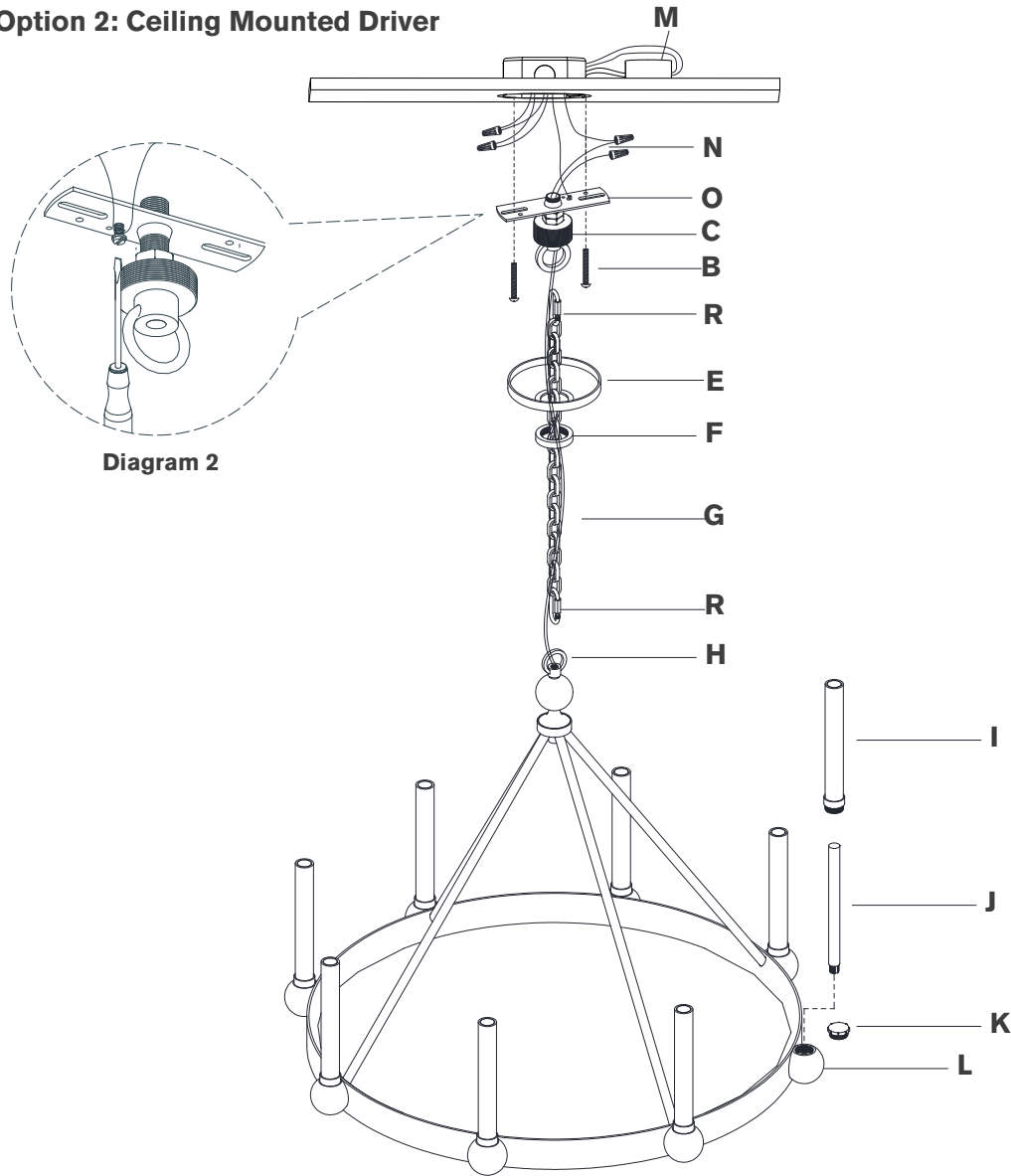
**NOTE:** It is imperative that the fixture is grounded.

VISUAL COMFORT



## ASSEMBLY INSTRUCTIONS

### Option 2: Ceiling Mounted Driver



## Jeffery Medium Ring Chandelier

Item # TOB 5775

### NOTICE:

This light fixture should be installed in accordance with all applicable, local installation codes, and by a person familiar with the construction and operation of it, as well as the hazards involved. Inspect item and contents carefully. If any damage or defect is found, do not install. Retain all packaging material until installation is complete and approved.

13. Connect driver **(M)** input neutral wire (white) to the supply neutral wire (usually white) using wire nut **(N)**.
14. Connect driver **(M)** input hot wire (black) to the supply hot wire (usually black) using wire nut **(N)**.

**CAUTION:** Do not reverse the hot and neutral connections.

15. Make sure all wire connections are tight, then carefully tuck into the junction box.
16. Install canopy **(E)** to mounting plate **(O)** and secure with collar ring **(F)**.
17. Remove protective covers **(K)** from sockets **(L)**.
18. Thread LED bulbs **(J)** to the sockets **(L)**.  
**NOTE:** All LED Must be installed before testing or restoring power to avoid malfunction
19. Thread glass shades **(I)** to sockets **(L)**.  
**NOTE:** Do not overtighten otherwise shade could become damaged.

**Care Instructions:** Clean only with a soft dry cloth or feather duster. Do not use abrasive or chemical agents.