

ASSEMBLY INSTRUCTIONS

Merchant Single Bath Light

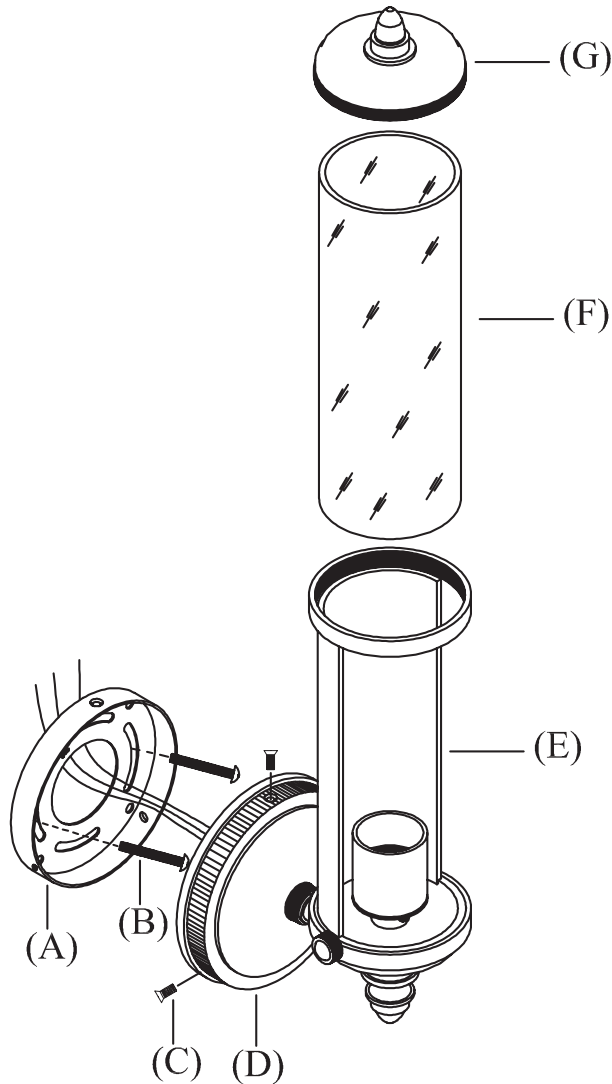
Item # TOB2206

WE RECOMMEND INSTALLATION OF THIS LIGHTING FIXTURE BE DONE BY A LICENSED ELECTRICIAN.

WARNING * SWITCH OFF THE MAIN ELECTRICAL SUPPLY FROM THE MAIN FUSE BOX/CIRCUIT BREAKER BEFORE INSTALLATION.**

INSPECT ITEM CAREFULLY BEFORE ATTEMPTING TO INSTALL. IF THERE IS ANY DAMAGE OR OBVIOUS DEFECT, DO NOT INSTALL.

ITEM MAY NOT BE RETURNED ONCE IT HAS BEEN INSTALLED.



1. Attach ground (green) wire to ground wire from wall outlet box (usually green or copper in color), fasten together with a plastic wire connector. Tightly wrap the wire connector with electrical tape so the end of the connector is sealed. IT IS IMPERATIVE THAT THE OUTLET BOX IN YOUR HOME BE PROPERLY GROUNDED.
2. Connect neutral (white) fixture wire coming from fixture base to neutral (usually white) outlet wire. Fasten both wires together with a plastic wire connector and tightly wrap the wire connector with electrical tape.
3. Repeat the procedure with the hot (black) wires. Always make sure that no wire strands are left outside the connectors. DO NOT REVERSE THE HOT AND NEUTRAL CONNECTIONS OR SAFETY WILL BE COMPROMISED.
4. Remove mounting plate (A) from fixture base (D) by removing base screws (C).
5. Affix mounting plate (A) to wall outlet box with mounting screws (B) provided.
6. Attach fixture base (D) to affixed mounting plate (A) and tighten with base screws (C).
7. Remove the cap (G) from top opening of shade holding frame (E).
8. Insert light bulb into socket.
9. Insert the glass cylinder (F) into shade holding frame (E) and screwing cap (G) to top opening of shade holding frame (E) to secure glass cylinder (F) to the shade holding frame.
10. Please see page 2 for instructions to mount in damp/wet locations.



ASSEMBLY INSTRUCTIONS

Merchant Single Bath Light

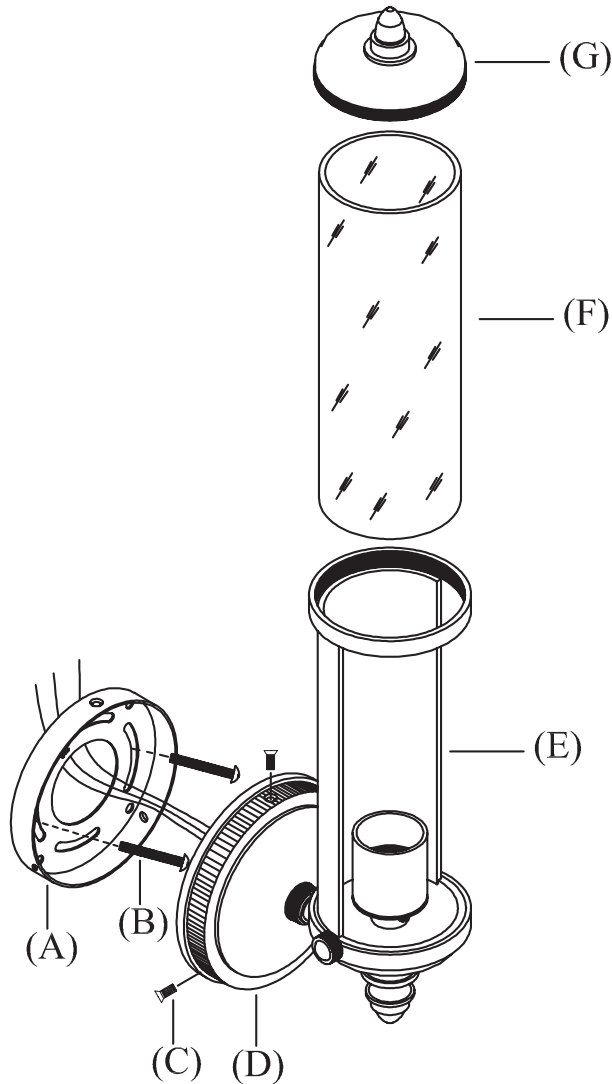
Item # TOB2206

WE RECOMMEND INSTALLATION OF THIS LIGHTING FIXTURE BE DONE BY A LICENSED ELECTRICIAN.

WARNING * SWITCH OFF THE MAIN ELECTRICAL SUPPLY FROM THE MAIN FUSE BOX/CIRCUIT BREAKER BEFORE INSTALLATION.**

INSPECT ITEM CAREFULLY BEFORE ATTEMPTING TO INSTALL. IF THERE IS ANY DAMAGE OR OBVIOUS DEFECT, DO NOT INSTALL.

ITEM MAY NOT BE RETURNED ONCE IT HAS BEEN INSTALLED.



INSTRUCTIONS FOR MOUNTING FIXTURE OUTDOORS AND/OR IN WET LOCATION:

1. Mounting surface should be clean, dry, flat and 1 1/4" (1.25") larger than backplate on all sides. Any gaps between the mounting surface and backplate exceeding 3/16" should be corrected as required.
2. With silicone (ex. GE-108) caulking compound, caulk completely around where back of canopy/fixture base meets the wall surface to prevent water from seeping into outlet box.