

ATOMIC

BPD45236



Project:

Location:

Fixture Type:

Catalog Number:

AVAILABLE FINISHES



BK/AB: Black/Aged Brass



BK/BN: Black/Brushed Nickel

DESCRIPTION

Express yourself in this artistic, rotating blend of light and movement in space. The hand stitched Italian black leather bands illuminate uniformly from within. In the nucleus of this dynamic piece is a central crystal that illuminates with an LED beam on the outer ring. A headturning attention getter.

FEATURES

- Built-in color temperature adjustability switch from 3000K/3500K/4000K at time of installation
- Three 12" and one 6" down rods included (additional sold separately)
- Hang straight swivel
- 360 degree adjustable rings design
- Thin canopy conceals a proprietary universal 120V-220V-277V driver
- Can be mounted on a sloped ceiling

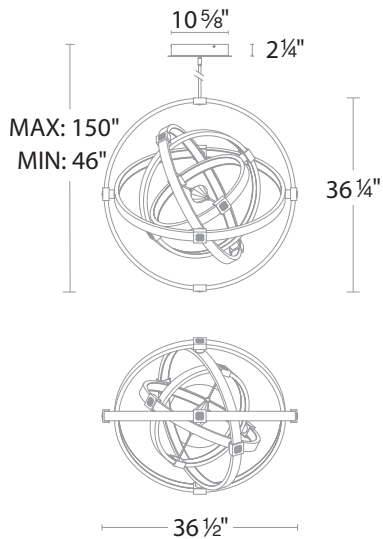
SPECIFICATIONS

CRI	90
Dimming	ELV, 0-10V, TRIAC
Standards	ETL/cETL, Damp, Title 24

REPLACEMENT PARTS

- RPL-GLA-45236-01 - Center Crystal
- RPL-GLA-45236-02 - Small Crystal Block
- RPL-ROD-OUT-06-BK - 6" Rod (BK)
- RPL-ROD-OUT-12-BK - 12" Rod (BK)

LINE DRAWING



Model	Size	LED Color Temp	Finish	Voltage	Wattage	Weight	LED Lumens	Delivered Lumens
BPD45236	36"	3000K/3500K/4000K	BK/AB Black/Aged Brass BK/BN Black/Brushed Nickel	120-277V	115W	32 lb	7300	6123

Example: BPD45236-BK/AB