

Customer Service: (702)361-4345, (800) 525-2655, customer.service@kalco.com

WARNING - TO REDUCE THE RISK OF FIRE OR INJURY:

- 1.If you are unfamiliar with electrical wiring, call a qualified electrician to install this unit. More than one person may be necessary to install fixture, make sure you have enough qualified help.
- 2.Turn off the power to the fixture's circuit at the service panel. Use a voltage detector to verify the power is off.
- 3.DO NOT install bulb which exceeds the maximum wattage specified on the socket label.

FRAME INSTALLATION:

NOTE: Carefully unpack frame and crystals and lay them down on a clean soft cloth for identification.

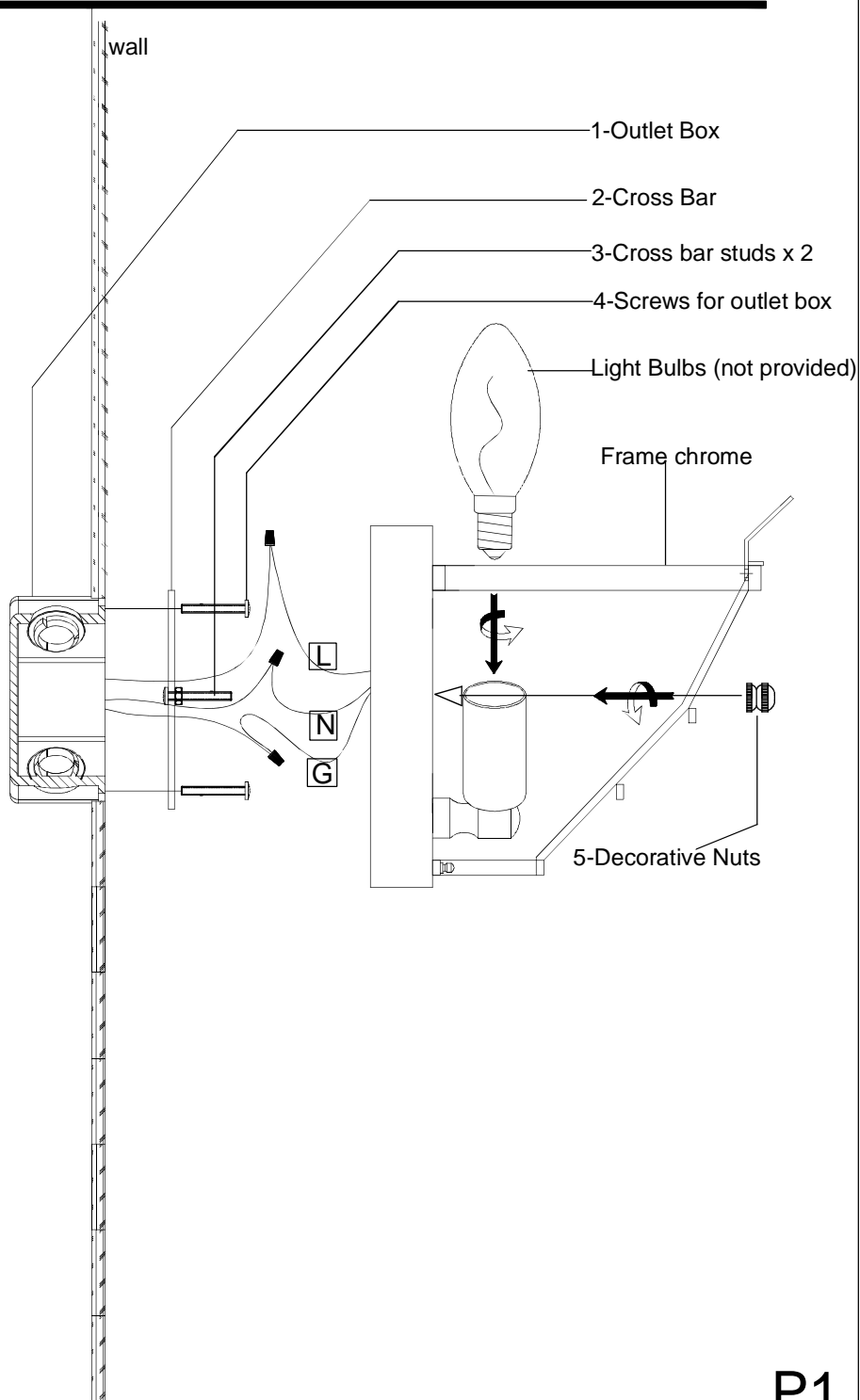
Step 1. Screw Crossbar 2 to outlet box 1 with original outlet box screws 4. Make sure crossbar studs 3 are pointing away from wall.

Step 2. Get frame a few inches close to wall and connect wires: Connect fixture ribbed wire (L) to power supply black wire. Connect fixture smooth wire (N) to power supply white wire. Connect fixture silver or copper bare wire (G) to power supply green wire.

Step 3. Align fixture back plate holes to crossbar studs 3 and fix it flat to wall, secure fixture with decorative nuts 5, then Install light bulbs.

(Krypton 40w max bulbs are recommended)

Proceed to install crystal set; follow directions on pages 2 and 3 .



Customer Service: (702) 361-4345, (800) 525-2655, customer.service@kalco.com

Code	Quantity
A	3
B	4
C1	8
C2	9
D	16

63MM 1pcs

50MM 4pcs

R401081-040-00-0
1pcs

A

89MM 1pc

B

R401080-014-00-0
1pcs

R401080-024-00-0
1pcs

C1

R400701-040-00-0
1Pcs

C2

R400701-040-00-0
1Pcs

D

NOTE: Please keep this INSTRUCTIONS to order replacement crystals in future.