



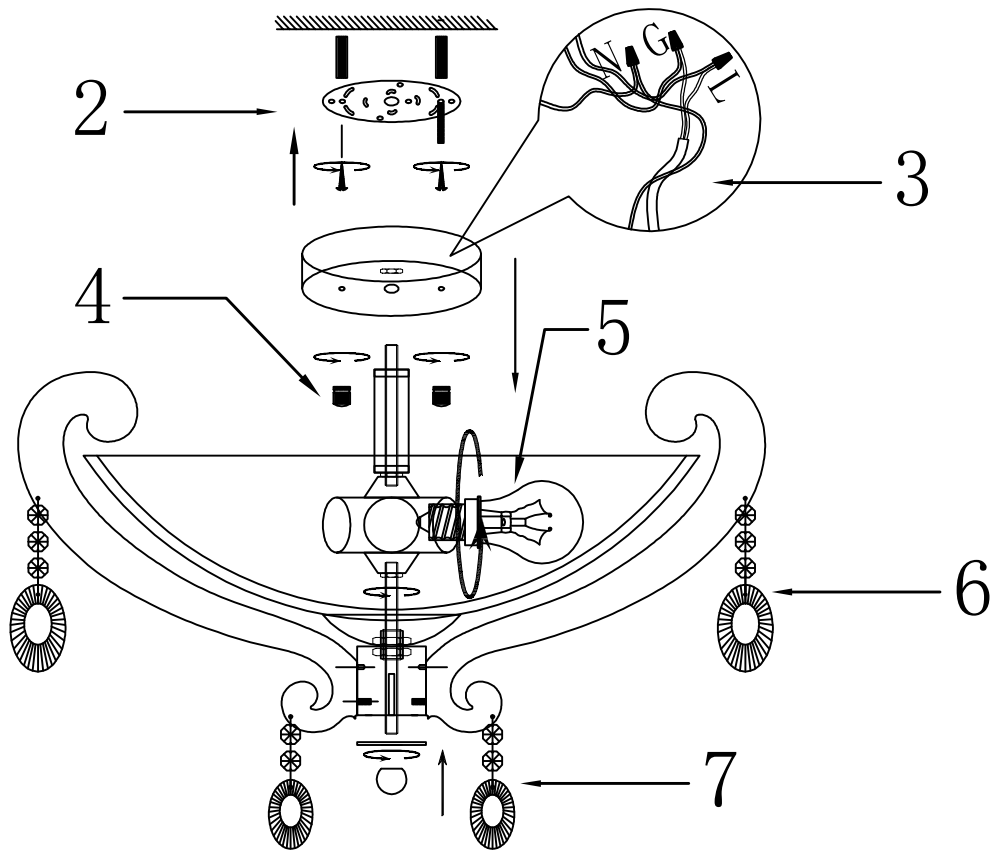
Installation Instructions

Model 22321 PC

1. Turn breaker off for circuit on outlet where fixture is to be installed.
2. Remove mounting bracket from fixture and install to electrical box. (Figure 2)
3. Wire fixture to wires in outlet box. Green wire is for Ground. (Figure 3)
4. Install fixture to back-plate and tighten 2 nuts so that fixture meets the wall. (Figure 4)
5. Install maximum 40 watt E26 bulb. (Figure 5)

WARNING!

Ceiling lamps burn hot. Allow 15 minutes after turning off before touching!



6:	4	PCS
7:	4	PCS