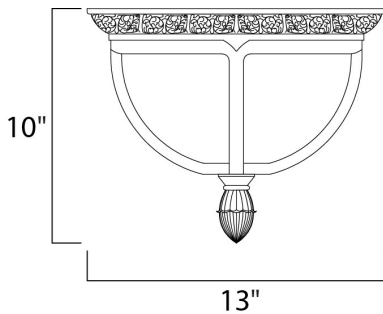




**PRODUCT DESCRIPTION**

Knob Hill EE is a traditional, early American style, energy saving collection from Maxim Lighting International in Sienna finish with Snow Flake glass.



**MEASUREMENTS**

DIMENSION : 13." W x 10." H  
 HANGING WEIGHT : 7.5 lb

**LAMPING**

LUMENS : 1,800 Rated (0 Del.)  
 BULB : 2 x 13W (INCLUDED), 26W Total  
 CRI : 81-82 CRI  
 COLOR\_TEMP : 2700K

**FINISHES OPTION**

Sienna SE



**GLASS**

Snow Flake SF

**MATERIAL**

Die Cast Aluminum

**RATINGS**

Damp Location



**ADDITIONAL**

INSTALL UP/DOWN:  
 INCANDESCENT WATTS: 164  
 RATED LIFE 10000 Hours  
 OPERATING TEMPERATURE:  
 -20°C (-4°F), 40°C (104°F)

Always consult a qualified electrician before installing any lighting product.



**WESTERN DISTRIBUTION CENTER (HEADQUARTER)**  
 253 NORTH VINELAND AVE | CITY OF INDUSTRY, CA 91746

**EASTERN DISTRIBUTION CENTER**  
 4200 SHIRLEY DR. | ATLANTA, GA 30336

P. 626.956.4200 | F. 626.956.4225 | maximlighting.com