

## **SAFETY INFORMATION**

Please read and understand this entire manual before attempting to assemble, install or operate the product.

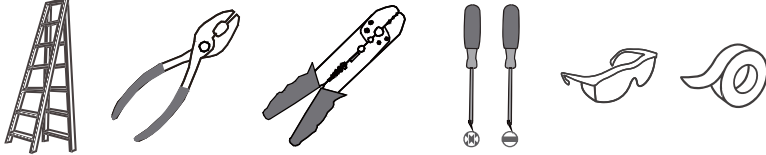
### **WARNING**

- RISK OF ELECTRIC SHOCK - Before beginning installation, turn off electricity at the circuit breaker box or the main fuse box.

### **CAUTION**

- For your safety, read instructions completely before beginning installation.
- If in doubt about electrical installation, consult a licensed electrician.

### **TOOLS REQUIRED**



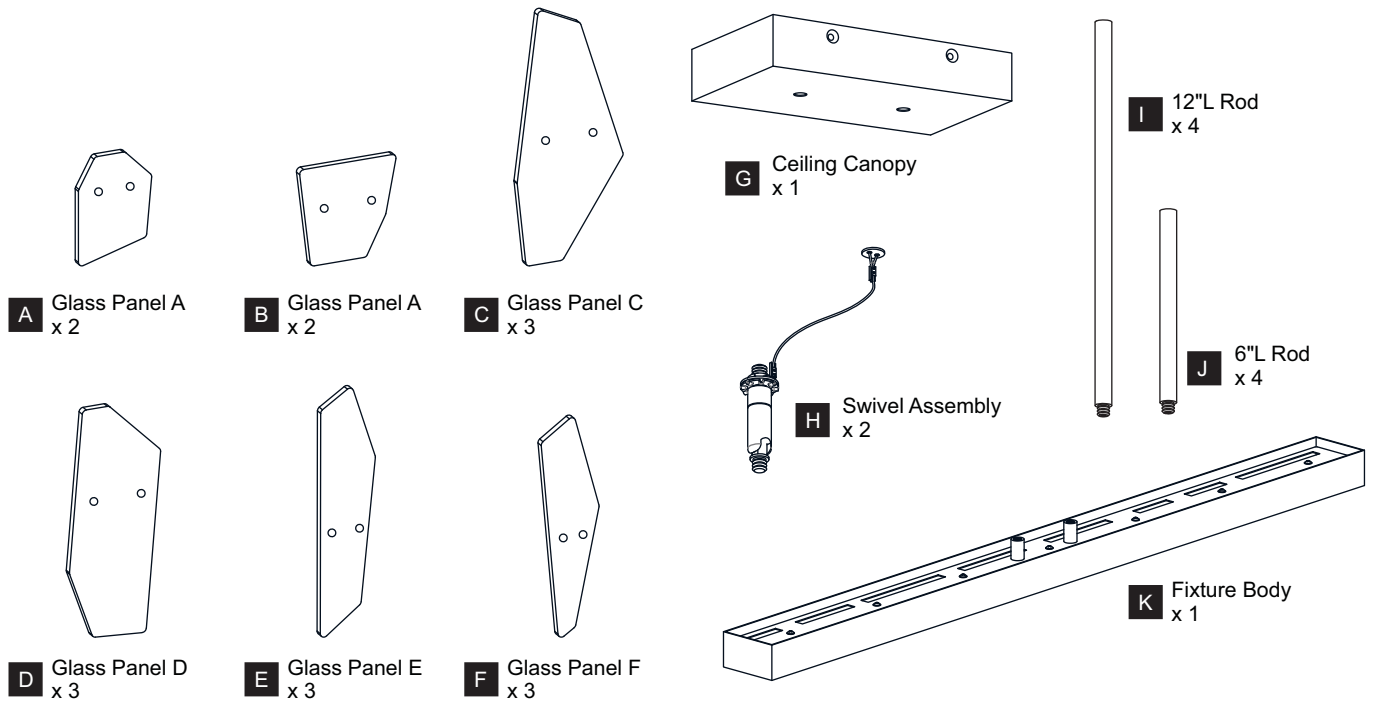
Ratings	120~277Vac, 60Hz	
	Model No.	Wattage
	PCAUR142MBK	32W
	PCAUR142SGD	32W

## **CARE AND MAINTENANCE**

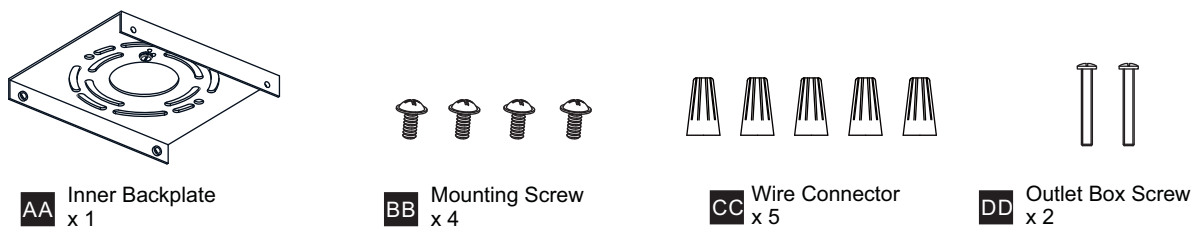
- Wipe clean using soft, dry cloth or static duster. Always avoid using harsh chemicals and abrasives to clean fixture as they may damage the finish.

If you need further assistance call Quozel Customer Care at 1-800-645-3184 (9:00am - 5:00pm EST), or visit us on-line at [www.quezel.com](http://www.quezel.com).

## **PACKAGE CONTENTS**



## **MOUNTING HARDWARE**

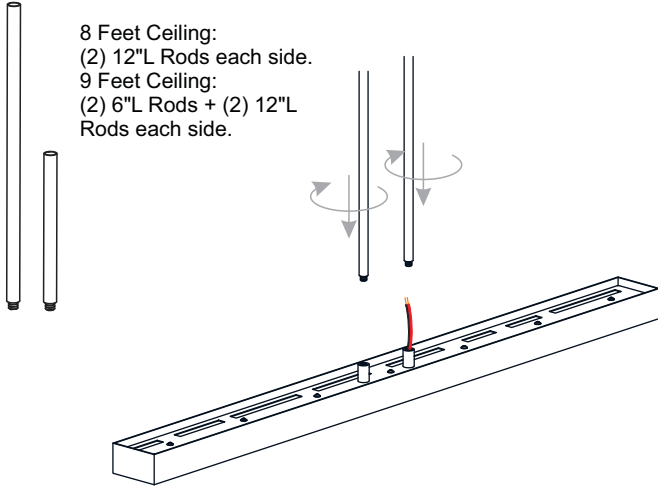


# INSTALLATION

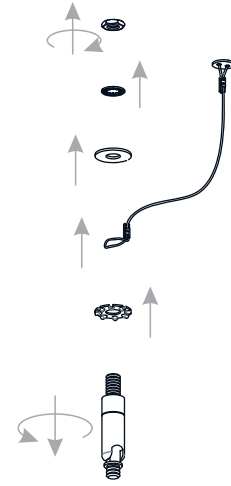
## 1 Install Rods

Optional Rods:

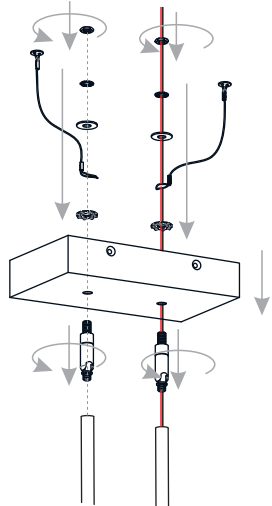
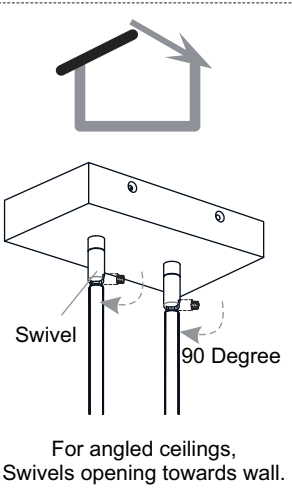
8 Feet Ceiling:  
(2) 12"L Rods each side.  
9 Feet Ceiling:  
(2) 6"L Rods + (2) 12"L  
Rods each side.



## 2 Separate Swivel Assembly

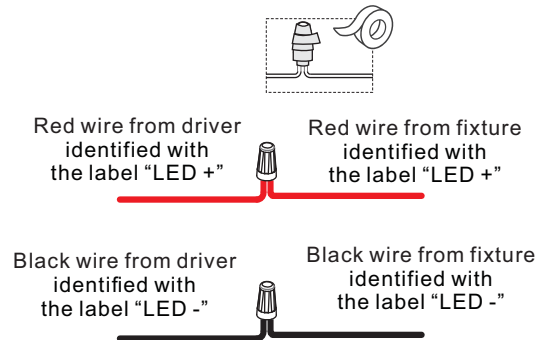


## 3 Install Swivels and Ceiling Canopy to Upper Rods

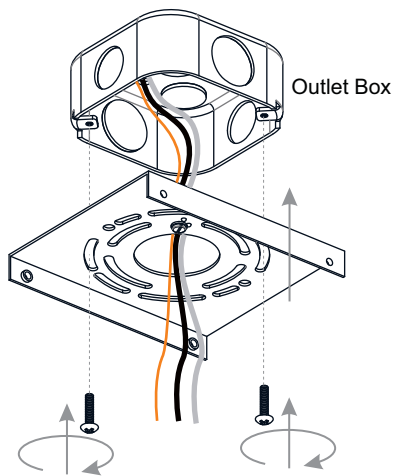


\* Make sure two swivels opening are in the same direction while assembling.

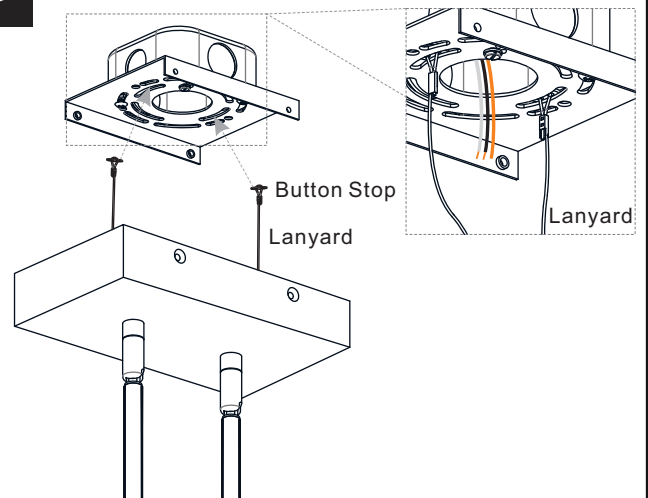
## 4 Connect Fixture Wires to Driver



## 5 Install Inner Backplate

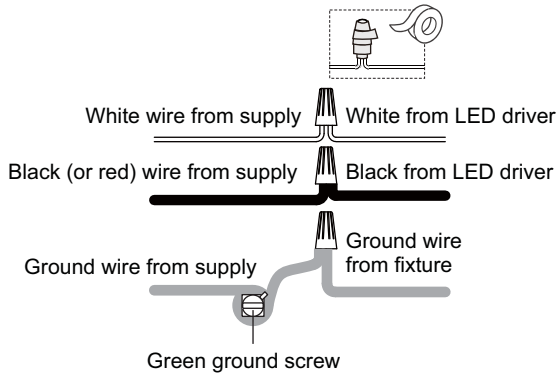


## 6 Install Lanyards

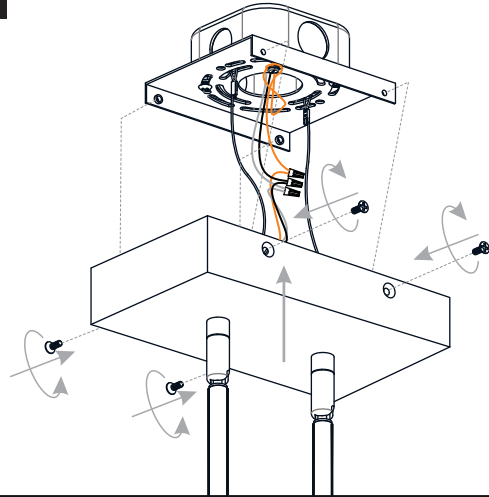


# INSTALLATION

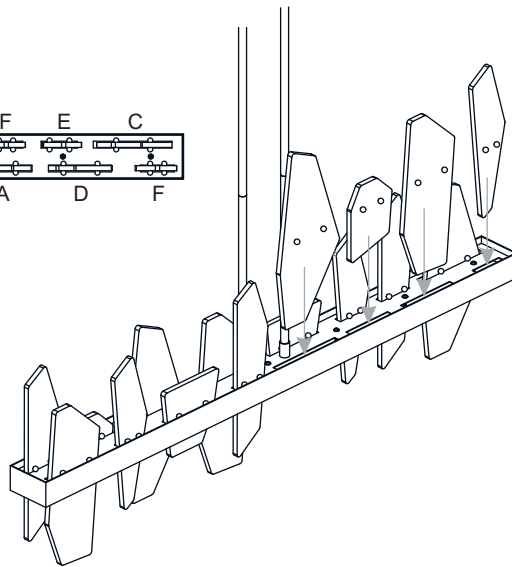
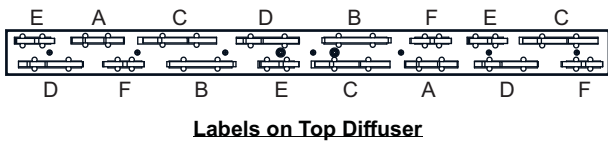
## 7 Wiring



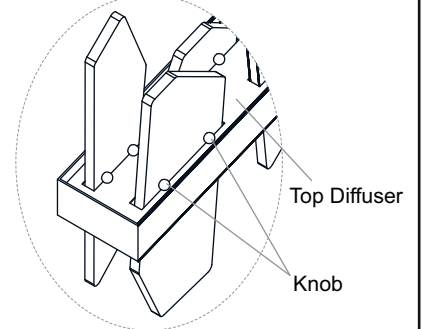
## 8 Install Ceiling Canopy to Inner Backplate



## 9 Install Glass Panels



Important: Make sure the knobs on glass panels are seated on the top diffuser after installation.



Your installation is now complete! Restore electricity and save this sheet for future reference.