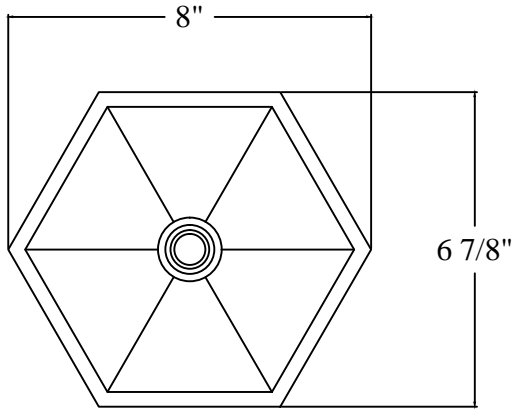
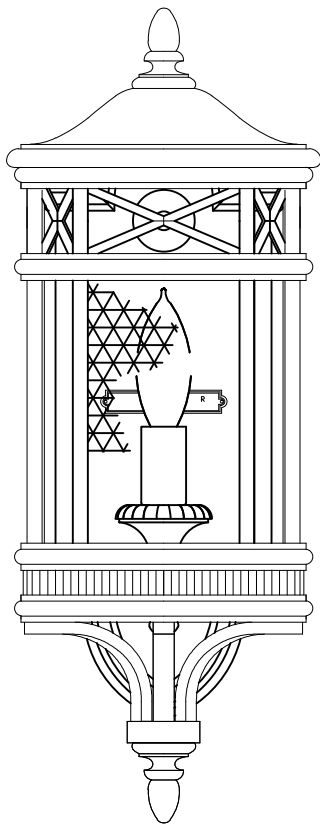


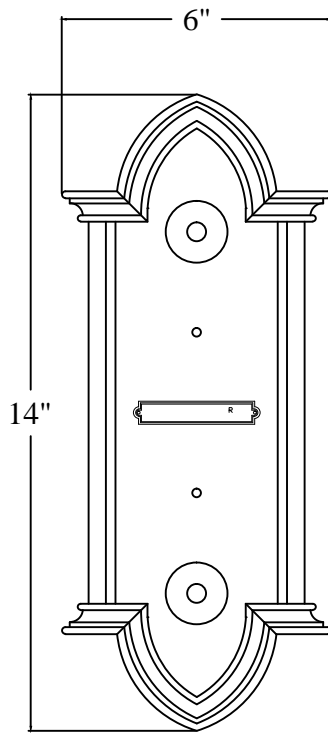
CUSTOMER REFERENCE DRAWING



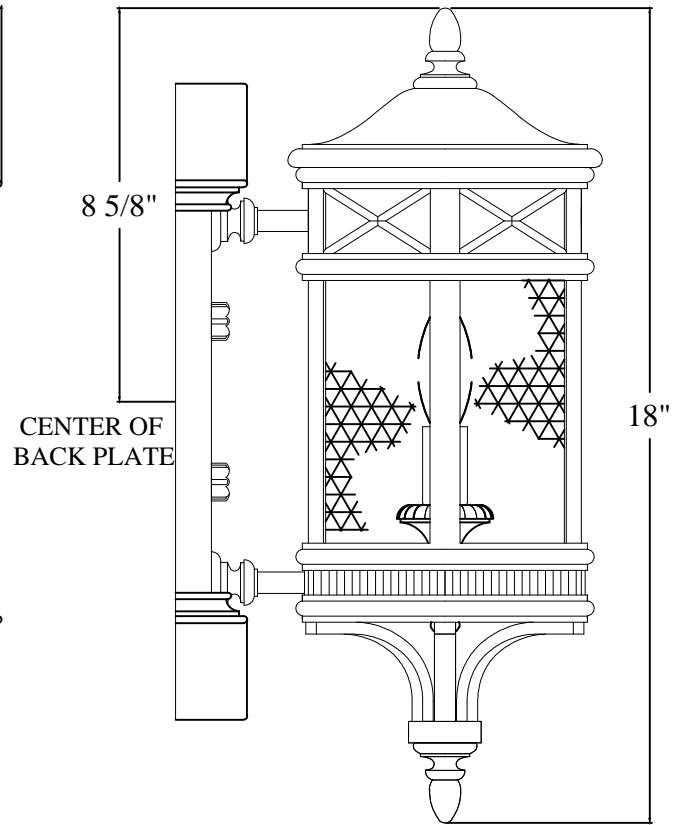
TOP VIEW



FRONT VIEW



BACK PLATE



CENTER OF  
BACK PLATE

SIDE VIEW